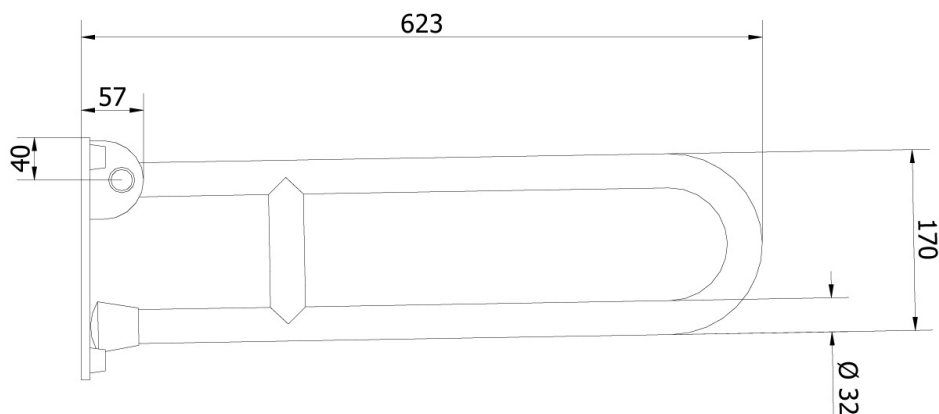
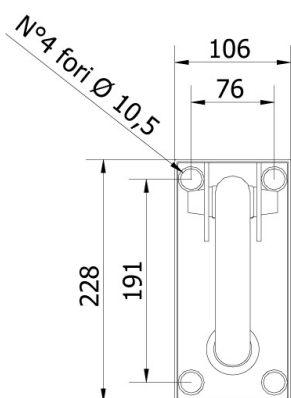
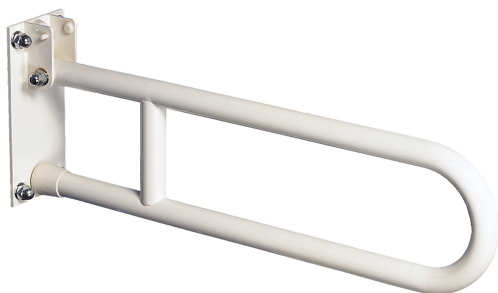


TECHNICAL DRAWING



PHOTO



PRODUCT FAMILY: HANDBARS AND HANDRAILS – PAINTED SERIES

CODE: 600-I-B

DESCRIPTION: Hinged folding support rail, 600 mm, with blocking device in upright position. Electrical insulation. White colour.

MECHANICAL PERFORMANCES:

Maximum load 150 kg.

APPROVALS/CERTIFICATIONS:

TUV system certification UNI EN ISO 9001:2008.

Declaration of Conformity according to European Medical Device Directive 93/42.

Reference regulations: Pr EN 1874; UNI EN 12182; UNI CEI EN ISO 14971; UNI EN 1041.

PRODUCT FEATURES:

Ø 32 cold bent body, complete with mounting plate.
The mounting plate electrically insulate the product.

FIXING/INSTALLATION:

Wall mounting by 4 plugs.
Plugs are not included in the package.
Read the instruction sheet to choose the suitable plugs according to the type of wall.

PRODUCT COMPOSITION:

- N° 1 Pipe Ø32 x 15/10 Fe P04 - DC04 - Zinc-coated and painted RAL9016
- N° 1 Insulating plate - Nylon PA6 - RAL9016
- N° 1 Mounting plate - DC04 - Zinc-coated and painted
- N° 1 Rotation screw - Stainless steel
- N° 6 Nut covers - Nylon PA6 - RAL9016
- N° 6 Washers for nut covers- Nylon PA6 - RAL9016
- N° 1 Mechanical locking device - Nylon PA6 - RAL9016

MAINTENANCE:

Check the correct fastening of the accessories periodically.
Perform a proper cleaning with water and soap, do not use abrasive or corrosive agents or coarse sponges.

TOLERANCES:

GENERAL TOLERANCES - LENGTH (mm)
0÷300 ±3 301÷600 ±4 601÷2000 ±5

PACKAGING OF THE PRODUCT:

Individually wrapped in bubble wrap and packed in cardboard box 650 x 241 x 110 mm.
Weight: 4 kg

The above mentioned information cannot be considered as binding. Thermomat Saniline Srl reserves the right to make technical and aesthetic changes without any prior notice.

ST_PRODOTTO: 600-I-B - 1	APPROVATO R.T.
REV.01 DEL 26/02/14	

THERMOMAT SANILINE SRL
Via M. Curie, 7 – 46034 Borgo Virgilio (Mantova) ITALY
Tel. + 39 0376 44 84 28
www.thermomat.com – e-mail: info@thermomat.com

